

Z611 9" MEDIUM-DUTY DRAIN



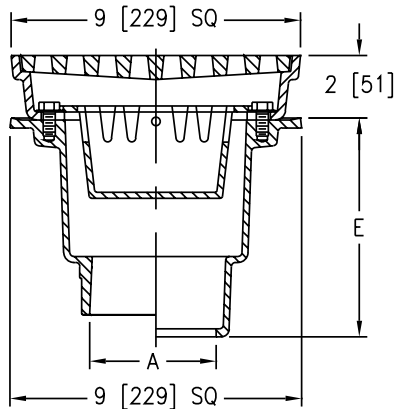
ENGINEERING SPECIFICATION

Zurn Z611 9" square top drain features Dura-Coated cast iron body with bottom outlet, seepage pan, and combination membrane flashing clamp and frame for cast iron, medium-duty, slotted grate with suspended sediment bucket.

NOTES

†Add 3/16" to 2" and 9" dimension for ZB and ZN

A Pipe Size inch [mm]	Grate Open Area sq in [cm ²]	Approximate Weight lb [kg]
2 [51], 3 [76], 4 [102]	26 [168]	29 [13]



PREFIXES	DESCRIPTION	PIPE SIZE	LIST PRICE
Z611*	D.C.C.I. Body and Top	2", 3", 4"	960.00
ZB611	D.C.C.I. Body with Polished Bronze Top	2", 3", 4"	1,413.00
ZN611	D.C.C.I. Body with Polished Nickel Bronze Top	2", 3", 4"	1,579.00

OUTLETS (SPECIFY PIPE SIZE IN INCHES AND TYPE OF OUTLET)				
OUTLET TYPE		PIPE SIZE/OUTLET TYPE	E BODY HT. DIM.	ADD
IP	Threaded	2IP, 3IP, 4IP	5"	80.00
NH	No-Hub (IP w/Z1040)	2NH, 3NH, 4NH	7-1/2"	N/C
NL	Neo-Loc	2NL, 3NL, 4NL	6-1/8"	N/C

SUFFIXES		ADD
-AR	Acid Resisting Epoxy Coated Cast Iron	556.00
-DG	Duresist Grate	245.00
-G	Galvanized Cast Iron	428.00
-P	Trap Primer Connection	150.00
-S	Secondary Strainer	48.00
Ⓢ -TC	Neo-Loc Test Cap Gasket (2", 3", 4" NL Bottom Outlet Only)	24.00
-V	Backwater Valve (See Z1099)	-
-VP	Vandal-Proof Secured Top	149.00
-90	90° Side Outlet Body Assembly (2", 3" Threaded Only)	158.00

	DEDUCT	
-LY	Less Sediment Bucket	-80.00

BEST SELLERS	LIST PRICE
Z611-4NH	960.00
Z611-4NL	960.00